

Operation Manual



For Maintenance &
Troubleshooting Videos



Table Of Contents

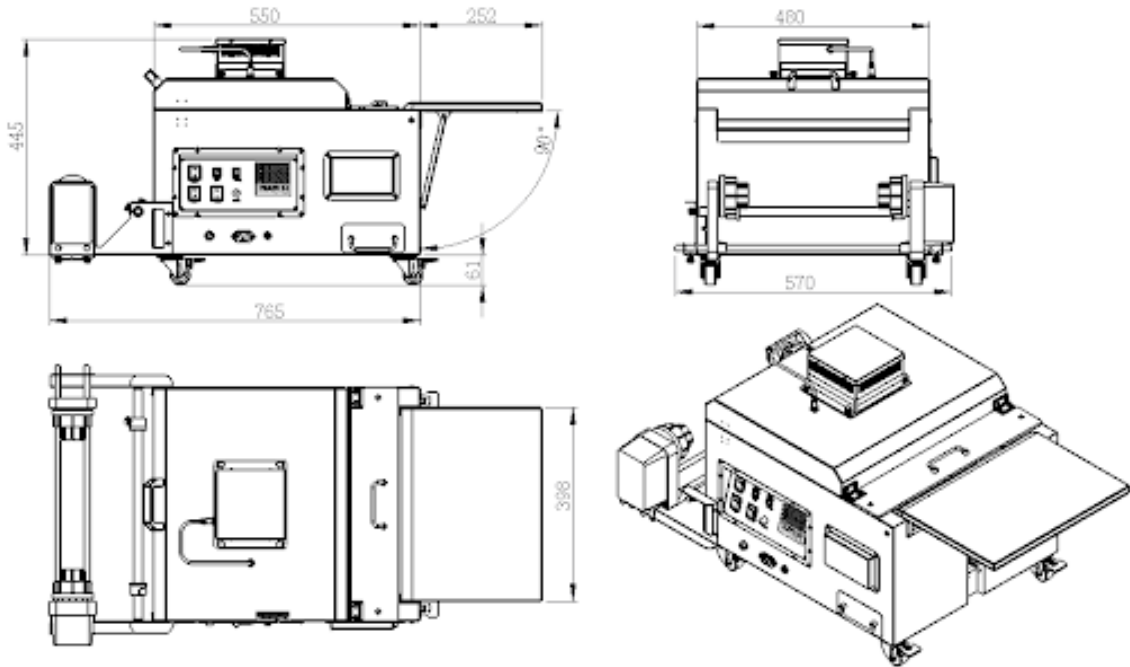
Safety Instructions	1
Technical Parameters	2
Machine View	3-4
Control Panel Guide	5
Operating Instructions	6

Safety Instructions

*When using your Smoke purifier,
basic precautions should always be followed,
including the following:*

1. Read all instructions.
2. Use smoke purifier only for its intended use.
3. To reduce the risk of electric shock, do not immerse the smoke purifier in water or other liquids.
4. Never pull cord to disconnect from outlet, instead grasp plug and pull to disconnect.
5. Do not operate smoke purifier with a damaged cord or if the equipment has been dropped or damaged. To reduce the risk of electric shock, do not disassemble or attempt to repair the smoke purifier. Take it to a qualified service person for examination and repair. Incorrect assembly or repair could increase the risk of fire, electric shock, or injury to persons when the equipment is used.
6. This appliance is not intended for use by persons (including children) with reduced physical, sensory or mental capabilities, or lack of experience and knowledge, unless they have been given supervision or instruction concerning use of the appliance by a person responsible for their safety.
7. Close supervision is necessary for any smoke purifier being used by or near children. Do not leave equipment unattended while connected.
8. To reduce the likelihood of circuit overload, do not operate other high voltage equipment on the same circuit.
9. If an extension cord is necessary, then a 20 amperage rated cord should be used. Cords rated for less amperage may overheat. Care should be taken to arrange the cord so that it cannot be pulled or tripped.

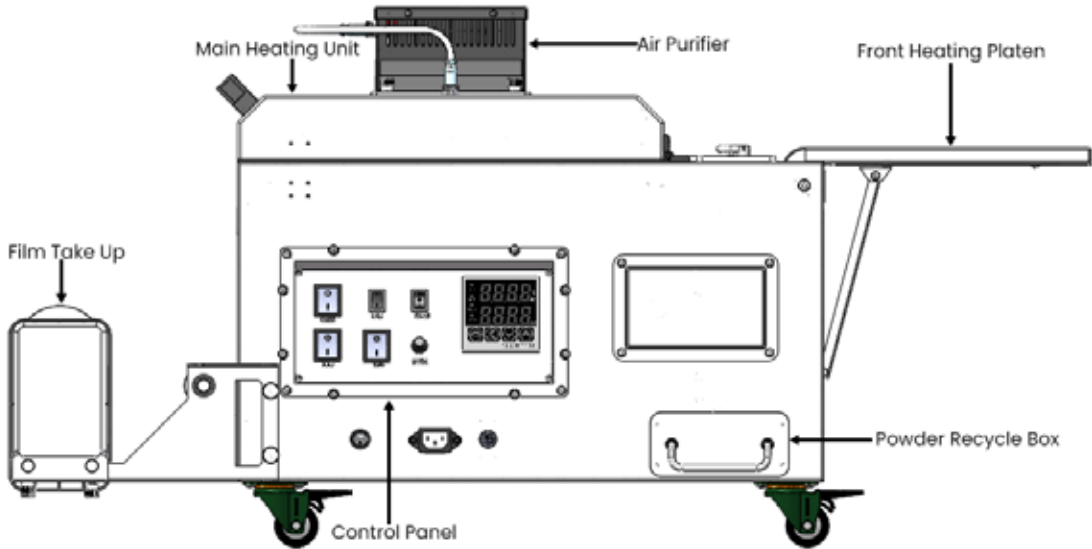
Technical Parameters



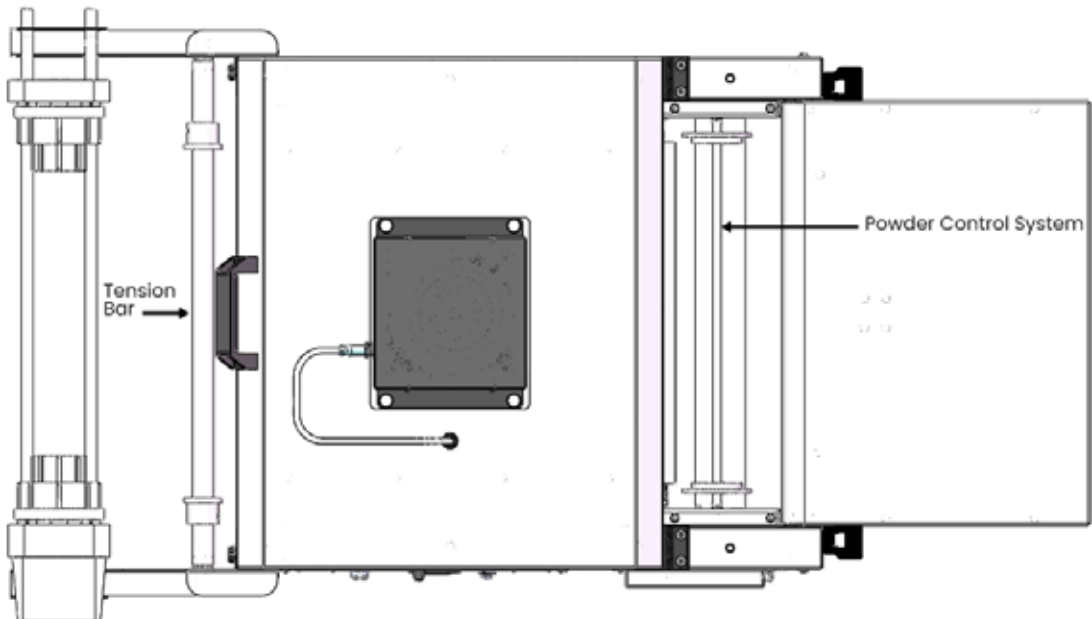
Model:	Miro 13 (DS-A3)	
Power:	1170W, 5.3A, 220V	1170W, 10.6A, 110V
Machine Size:	1017×570×506mm	1017×570×506mm
Packing Size:	72cm*62cm*49cm	72cm*62cm*49cm
PackingWeight:	35Kg	35Kg
Certificate:	CE,FCC	CE,FCC
Warranty:	One year without filter board	One year without filter board

Machine View

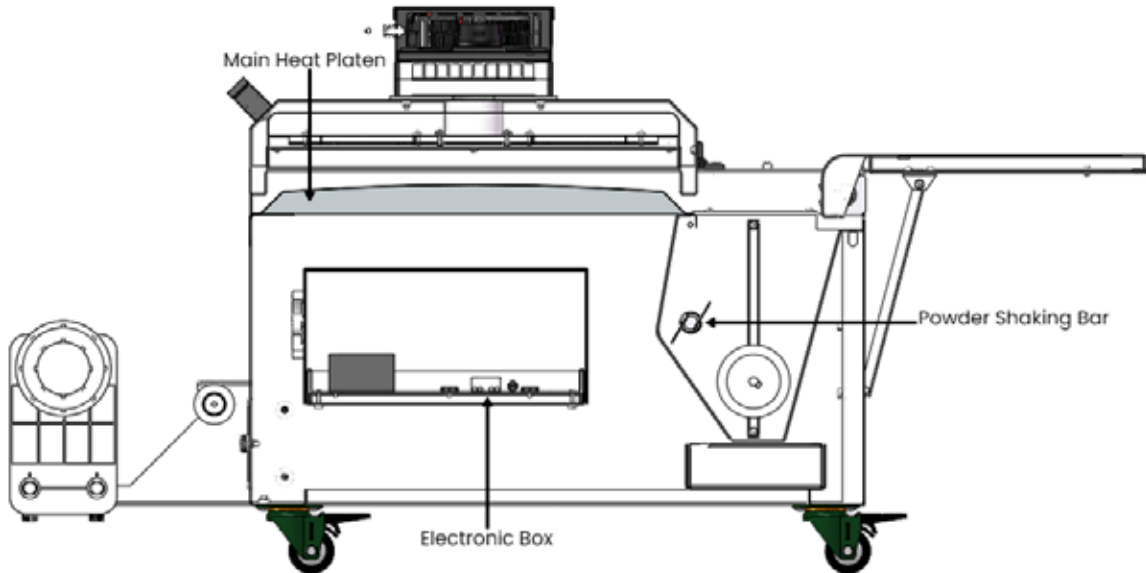
Front View



Top View



Internal View



Control Panel Guide

Suggested Setting:



Operation Instructions

Please scan the QR code here to see the playlist of all installation/maintenance videos:



1. Install the filter
2. Install the film collector
3. Loading media film
4. Adding powder
5. Changing filter board
6. Daily maintenance
7. How to set main heating temperature and pre-heating temperature

(1) Main heating temperature setting

Short press SET until screen shows as below, to set the main temperature at 120 °C, then press SET two times to confirm the setting and exit setting interface.



(2) Pre-heating temperature setting

Short press SET until screen shows as below to set the pre-heating temperature at 50°C, then press SET two times to confirm the setting and exit setting interface.



The default setting parameter Preheating (SP02): 50 °C main heating (SP01): 120 °C was based on 25 °C room temperature; the parameter setting might need to adjust according to the actual environment temperature.

How to set the direction of paper collector and powder shaking bar

