



COUNTER TOP SUBLIMATION OVEN

SubliPro-CT

Overview

The HIX SubliPro CounterTop oven provides the ideal entry-level solution for the dye sublimation of drink ware such as standard 11/15 oz mugs, travel mugs, shot glasses, pint glasses, beer stains, metal containers, dog and cat bowls, etc.

This oven is also the ideal alternative for any company currently using the old mug system, providing greater efficiency and an almost unlimited variety in the choice of substrates.

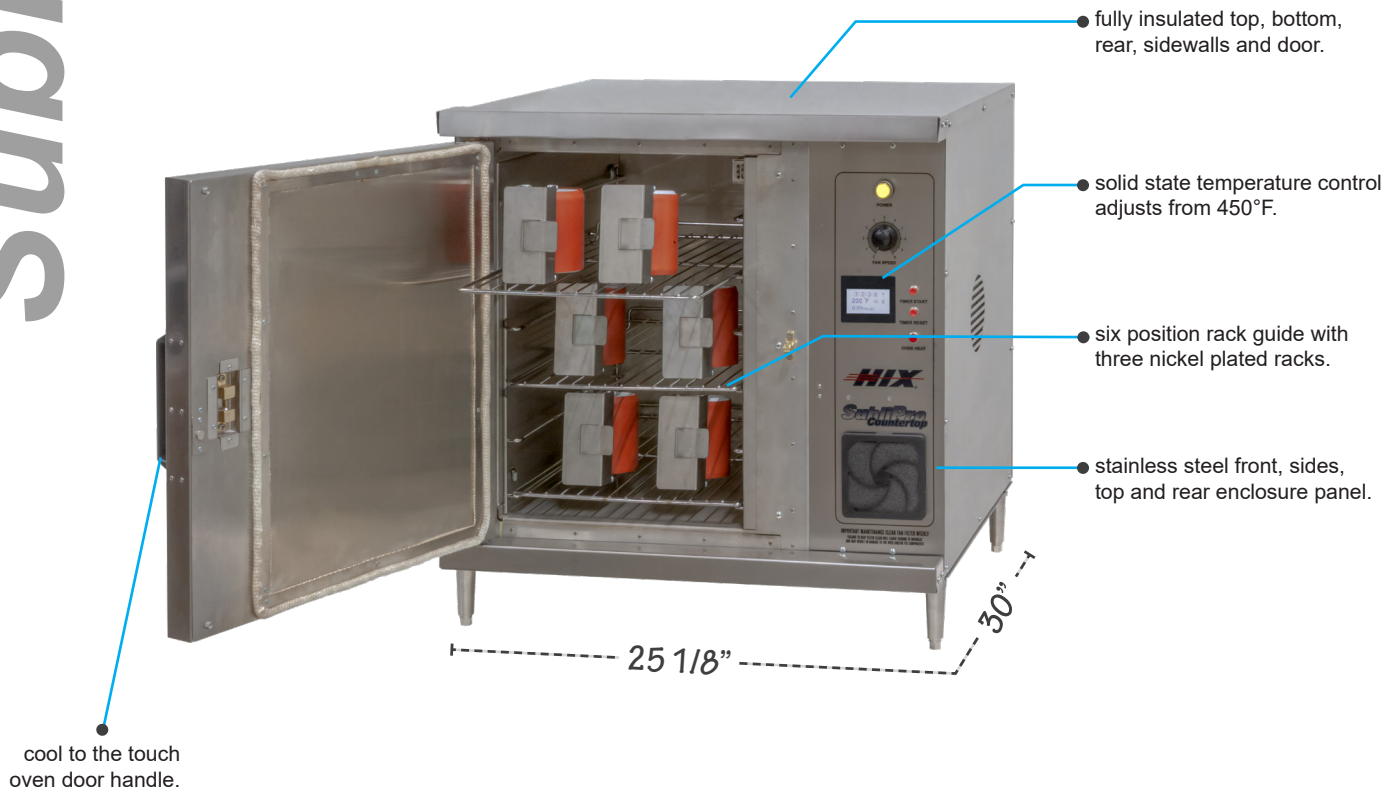
The oven can be used in conjunction with our patented Mug Wraps which can be customized for any size or shape of round substrates.

The HIX SubliPro CT has a large stainless steel oven interior, producing as many as 12-15 mugs per cycle or more than 48 per hour.

It also comes with six position nickel plated rack guides and three nickel plated racks to accommodate a variety of substrates with varying heights and diameters.

The oven chamber is heated by powerful 7.5 KW heating elements. Air convection is provided by a continuously variable 1/6 H.P. oven blower motor.

The oven is fully insulated and enclosed with stainless steel panels and door. It comes with temperature controls adjustable from ambient to 450°F and LCD touch screen controller.



Counter Top Sublimation Oven



COUNTER TOP SUBLIMATION OVEN

SubliPro-CT

Specifications

Oven chamber	15 ¼"Ww x 21½"D x 22"H
Total Watts	8.0 KW (including blower motor)
Volt/Amp/Phase	208V/ 38A/ 1PH
	208V/ 23A/ 3PH
	240V/ 33A/ 1PH
	240V/ 19A/ 3PH

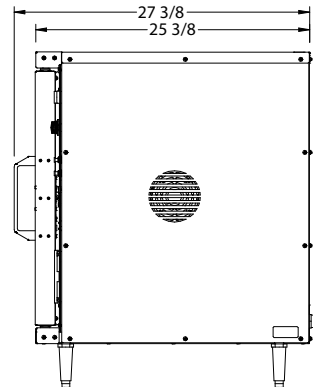
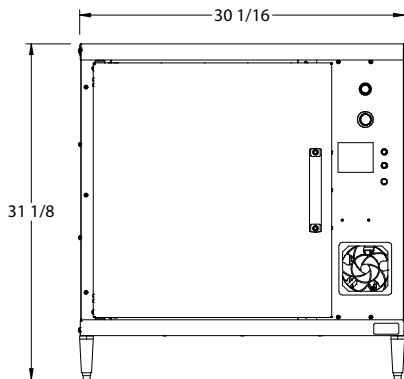
Shelf Size:	13"W x 20 ½"D
Fan power	1/6 H.P.
Oven dimensions	30"W x 29"D x 31"H
Oven weight	252 lbs
Shipping dimensions	41"W x 32"D x 33.5"H
Shipping Weight	213 lbs



Key Features:

- Stainless steel front, sides, top and rear enclosure panel.
- Cool to the touch oven door handle.
- Stainless steel oven door gaskets.
- 7.5 KW heat input (8.0 KW total with blower motor).
- Solid state temperature control adjusts from Ambient to 450°F.
- 1/6 H.P. variable speed fan motor.
- Oven interior liners are stainless steel.
- Six position rack guide with three nickel plated racks.
- 1 year limited warranty

Companion product –
 HIX Two-Snap Sublimation Wraps.
 Specifically designed to work with
 SubliPro line of ovens.



VISIT: www.hixgraphics.com or PHONE: 800.835.0606

HIX Corporation | 1201 E. 27th Terrace | Pittsburg, KS 66762